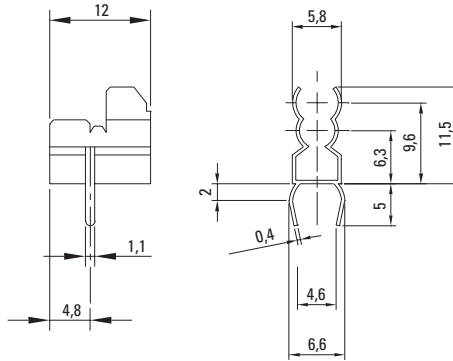
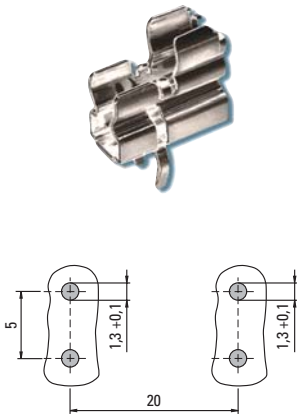


Clip / No. 518 lead free

PC Mount, 5x20 mm / 6.3x32 mm Fuses

Specifications



Approvals
UL Recognized



Mounting

PC Board, 5mm pin spacing
Kicked solder pins 0.4 x 1.1 mm

Materials

Clip: Copper alloy
Solderable, tinned

Electrical Data (23 °C)

Rated Voltage: 250 V
Max. Current/Power: 10 A/2.5 W

Minimum Cross Section

Conducting path - 0.2 mm²

Unit Weight

0.9 g

Packaging

Bulk (1000 pcs.)

Order Number

Clip No. 518 0000 100



Clip / No. 102071 lead free

PC Mount, 6.3x32 mm Fuses

Mounting

PC Board, 7.6 mm pin spacing
Solder pins 0.5 x 1.5 mm

Materials

Clip: Copper alloy
Solderable, tinned

Electrical Data (23 °C)

Rated Voltage: 500 V
Max. Current/Power: 10A/4 W

Minimum Cross Section

Conducting path - 0.2mm²

Unit Weight

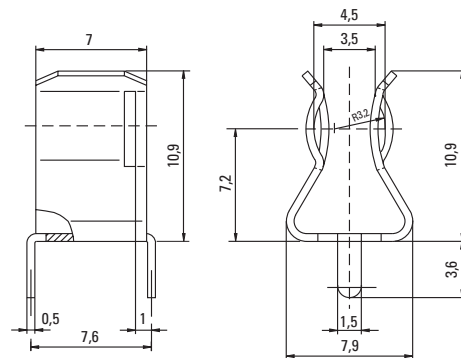
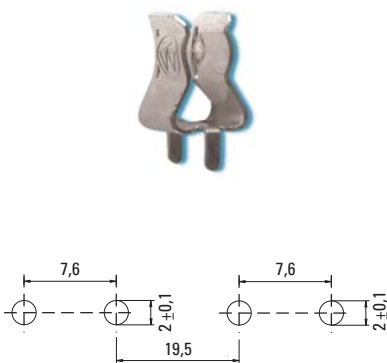
0.9 g

Packaging

Bulk (2000 pcs.)

Order Number

Clip No. 102 0710 100



Note: 1.00 means the number one with two decimal places. 1,000 means the number one thousand.

**Specifications are subject
to change without notice**